

BCL

For applications that require higher intensity and/or larger coverage area, Metaphase has developed a High intensity illuminator that mounts & interfaces directly to all the popular readers including, but not limited to Keyence, Cognex, Sick and Dalsa readers. By simply configuring the light with the appropriate mounting plate, it can be mounted directly to your image-based reader of choice. The light can be used in continuous & strobe mode and provides illumination intensity for maximum read rates. These illuminators can be configured with the LED color/lensing/diffuser/polarizing required to provide a homogenous, high intensity, non-glare image to maximize code-to-background contrast. Metaphase family of Barcode/OCR reader lights include 7-inch (178mm) and 14-inch (356mm) versions.



FEATURES

- High power LEDs
- Rugged design
- LED thermal management for stable performance
- Strobe and dimming options available
- Flicker free performance and instant start up with Metaphase analog driver technology
- Built-in Constant Current Driver with 0 – 10VDC intensity control

WAVELENGTHS

Order ID	Description / nanometers
W	White (6000K), Nominal
R	Red / 630nm
G	Green / 530nm
B	Blue / 470nm
IR850 (or IRN)	Infrared / 850nm
IR880 (or IRL)	Infrared / 880nm
IR940	Infrared / 940nm
UV365 (or UVS)	Ultraviolet Short / 365nm
UV395 (or UVL)	Ultraviolet Long / 395nm
RGB	Red-Green-Blue

GENERAL SPECIFICATIONS

Power Source:	24VDC ±5%
Cable (Standard):	10-foot cable with flying leads
Housing:	Black Anodized Aluminum
Ambient Temp:	-20°C to 40°C
Lifetime Expectancy:	75,000 hours (except UV)

BCL

Barcode Lights							
MODEL	All models: H = 2.82 inches (7.2cm) Overall Width and Length Inches (cm)	Total Active Area Inches (cm)	Weight lbs / kg	Cable QTY	Cable Length	Cable Description (Single Wavelength)	Input Current @24VDC (Red)
BCL406	3.75 x 8.28 (9.53 x 22.3)	4.54 x 2.76 (11.5 x 7.01)	2.0 / 0.91	1	10ft	24 AWG 4 Conductor	0.5 amps
BCL806	3.75 x 15.55 (9.53 x 39.50)	11.30 x 2.76 (28.70 x 7.01)	4.37 / 1.98			18 AWG 4 Conductor	1.7 amps

Wiring (4 conductors, flying leads)**	
Wire Color	Function
RED	+24VDC
WHITE	0-10VDC INTENSITY CONTROL
BLACK	GROUND (24V RTN)
GREEN	SIGNAL GROUND

Wiring (4 conductors, without Intensity Control)	
Wire Color	Function
RED	+24VDC
WHITE	+24VDC
BLACK	GROUND (24V RTN)
GREEN	GROUND (24V RTN)

M12 (5 position male)**	
Pin #	Function
1	+24VDC
2	0-10VDC Intensity Control
3	GROUND (24V RTN)
4	SIGNAL GROUND
5	No Connection

The M12 connector option is not recommended for lights rated more than 4 amps

Wiring with ULC-2	
Wire Color	Function
RED, WHITE (+)	LED INPUT
BLACK, GREEN (-)	

Terminated within a 2 position ULC-2 output connector
(Phoenix Contact P/N: BCP-508-2)

**Note: The 0-10VDC Intensity Control input can accept voltages from 0-24VDC where the light will operate at full intensity in the 10-24VDC range. The light is proportionally dimmer for any Intensity Control voltage less than 10VDC and the light is OFF at approximately 0V or not connected (floating).

BCL

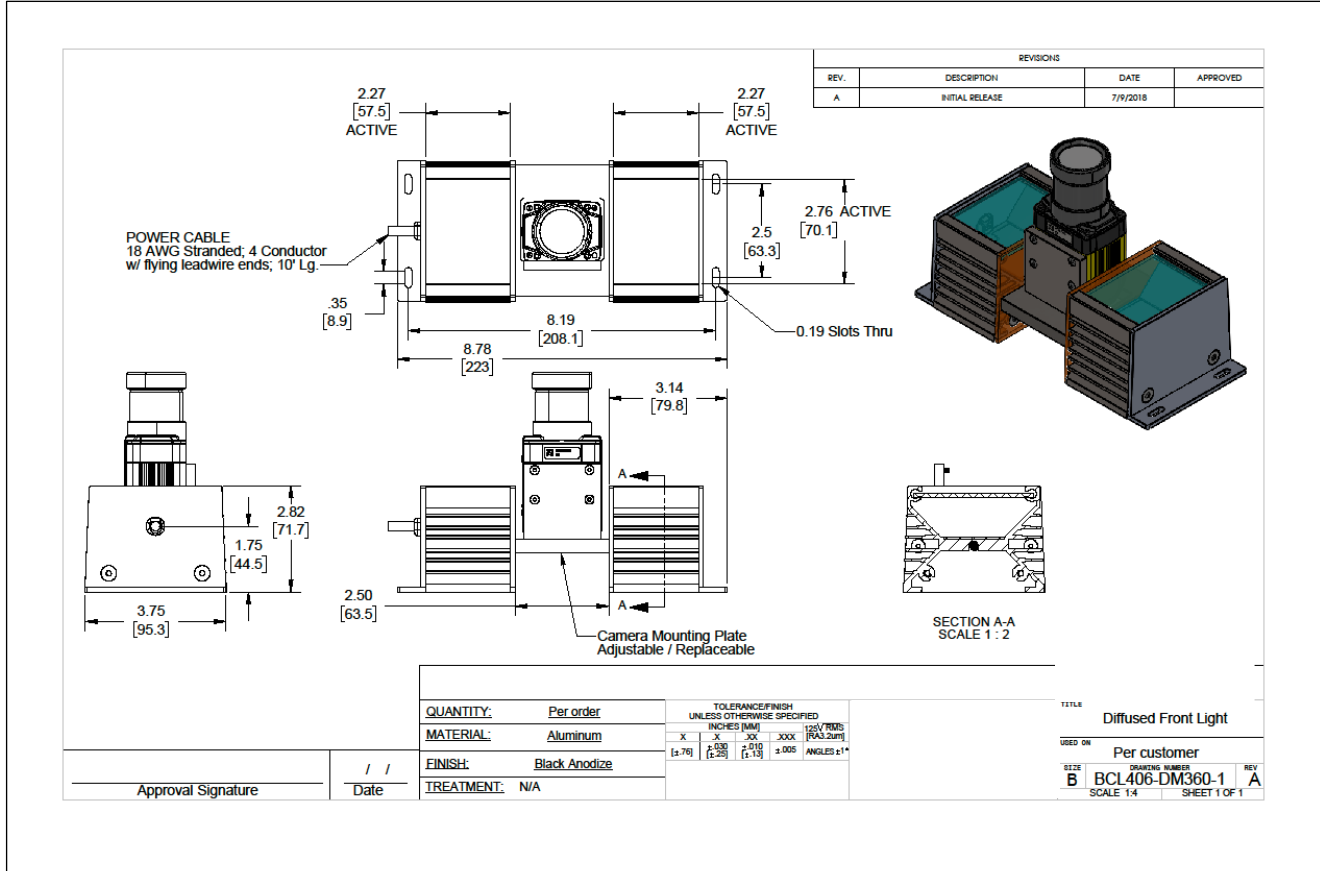
MODEL NUMBER KEY						
MODEL	SIZE	CAMERA	WAVELENGTH	VOLTAGE	BEAM ANGLE	OPTION
BCL	XXX	XXXXX	XXX	XXX	X	X-XXX
BCL	406 (7 inch) 806 (14 inch)	DM360 DM500 MAKOGC MV20 MV30 MV40 BOA SR1K SR2K ACE	W (White 6000K, Nominal) R (Red 630nm) G (Green 530nm) B (Blue 470nm) IR850 (or IRN) (Infrared 850nm) IR880 (or IRL) (Infrared 880nm) IR940 (Infrared 940nm) UV365 (or UVS) (UV Short 365nm) UV395 (or UVL) (UV Long 395nm) RGB (Red-Green-Blue)	24 (+24VDC, standard) U (ULC-2 interface) KEY (Keyence Controller) ILD (In Line Dimmer) ILS (In Line Strobe)	_ Medium (Default), 30° N (Narrow) 16° W (Wide) 45°	T (M12 Connector) P (Polarizer) XXX (Custom code)

Contact Metaphase for cameras not listed above.

Contact Metaphase Technologies or your local representative for options such as custom diffusers, lenses, polarizers, IP-rated enclosures for harsh environments, higher intensity, custom wavelengths, higher uniformity, etc. Not all options are available for all lights.

BCL

Sample Model Number: **BCL406-R-24**



COMPLIANCE



Vision Light Tech B.V.
 Protonenlaan 22, 5405 NE UDEN, P.O. Box 345, 5400 AH UDEN, The Netherlands
 Phone: +31 (0)413 26 00 67, Fax +31 (0)413 26 09 38, E-mail: inquiry@vlt.nl, Website: www.vlt.nl
 Trade register No. 17150044, VAT No. NLB112.30.946.B01

Specifications are subject to change

Copyright ©

July 2018

All rights reserved