



LED VAPOR TIGHT LUMINAIRE



Vision Light Tech
creating optical solutions

KEY FEATURES

INPUT WATTAGE	INPUT VOLTAGE		CRI	NOMINAL LUMENS	LUMEN MAINTENANCE	EFFICACY
	120V	277V				
24W - 2	0.22A	0.11A	Up to 86	up to 3400	24-2 L70 >170,000 hrs/L80 >110,000 hrs	[RA] Clear Ribbed Acrylic Lens - Up to 136lm/W
24W - 4	0.22A	0.11A	Up to 86	up to 3400	24-4 L70 >850,000 hrs/L80 >630,000 hrs	[RP] Clear Ribbed Polycarbonate Lens - Up to 128lm/W
30W - 4	0.27A	0.14A	Up to 86	up to 4200	30-4 L70 >380,000 hrs/L80 >240,000 hrs	[RF] Frosted Ribbed Acrylic Lens - Up to 130 lm/W
45W - 4	0.40A	0.19A	Up to 86	up to 6000	45-4 L70 >180,000 hrs/L80 >110,000 hrs	[RFP] Frosted Ribbed Polycarbonate Lens - Up to 122 lm/W
45W - 8	0.40A	0.19A	Up to 86	up to 6300	45-8 L70 >850,000 hrs/L80 >850,000 hrs	[DF] Deep Frosted Acrylic Lens - Up to 142 lm/W
68W - 8	0.60	0.29	Up to 86	up to 9300	68-8 L70 >310,000 hrs/L80 >190,000 hrs	[DF-WD] Deep Frosted Acrylic Lens w/Wide Distribution - Up to 124lm/W

BENEFITS

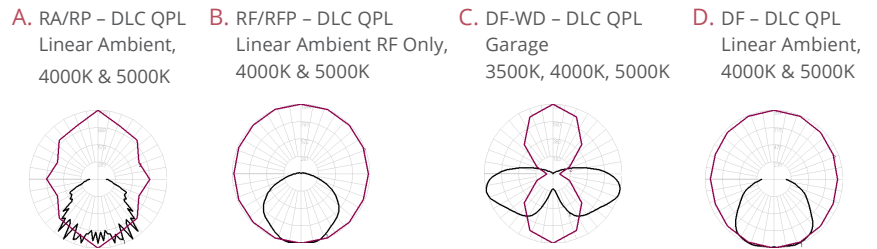
- 0-10V dimming compatibility
- L70 exceeding 168,000 hours
- 87% Driver Efficiency
- Shock & vibration resistant
- Advanced thermal management with LEDs mounted directly to heat sink
- Durable fiberglass housing
- Passes stringent IP 66 testing
- IP 67 rated enclosure
- Powered by LED Living Technology's Claris LED Retrofit Kit
- Modular Components: All internal modules replaceable at end life.
- Patent-Pending Isotropic Diffusion (special order)
- Environmentally friendly: Mercury free, Lead free
- 10 Year Limited Warranty
- Buy American

LENSES

[Overall fixture dimensions with Mounting Bracket.]

- A.** Dimensions: 51.81" L x 6.77" W x 4.26" H
[RA] Clear Linear Ribbed Impact Resistant Acrylic
[RP] Clear Linear Ribbed Polycarbonate
- B.** Dimensions: 51.81" L x 6.77" W x 4.26" H
[RF] Frosted Linear Ribbed Impact Resistant Acrylic
[RFP] Frosted Linear Ribbed Polycarbonate
- C.** Dimensions: 51.81" L x 6.77" W x 5.63" H
[DF-WD] Deep Frosted Acrylic Lens w/Wide Distribution Reflector
- D.** Dimensions: 51.81" L x 6.77" W x 5.63" H
[DF] Deep Frosted Acrylic Lens

PHOTOMETRIC POLAR PLOTS



* Photometric Polar Plots: Please contact info@ledlivingtechnology.com for individual .IES files, and DLC QPL list for a full list qualified models.

APPLICATIONS

- Parking Garages
- Refrigerated Case Lighting
- Food & drug processing facilities
- Breweries
- Industrial facilities
- Car Washes

RATINGS





LED VAPOR TIGHT LUMINAIRE



Vision Light Tech

creating optical solutions

IP67 FIXTURE MOUNTED OCCUPANCY SENSOR:

Mounting Height 8-15ft, 30ft, 360° Coverage Pattern

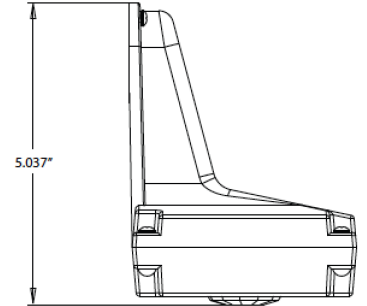
Operating Temp: -40°F to 118°F

100% digital PIR detection – Excellent RF Immunity

Push Button Field Programmable; No minimum load; Adjustable Time Delays.

[OCSD] IP67 Watertight Dimming Fixture Mounted Occupancy Sensor, Can be adjusted high/low to 10%.

[OCSN] IP67 Watertight Non-Dimming, On/Off Only Fixture Mounted Occupancy Sensor



ORDERING

ROOT	WATTS/LENGTH	LED COLOR TEMPERATURE [CCT]	LENS		LATCHES
G3DRA	24-2 [24W 2Ft 2 LED Strips]	30K [3000K]	RA	[Clear Ribbed Acrylic Lens]	SL [Stainless Steel Latches] CP [Celcon® POM Latches White]
	24-4 [24W 4Ft 4 LED Strips]	35K [3500K]	RP	[Clear Ribbed Polycarbonate Lens]	
	30-4 [30W 4Ft 4 LED Strips]	40K [4000K]	RF	[Frosted Ribbed Acrylic Lens]	
	45-4 [45W 4Ft 4 LED Strips]	50K [5000K]	RFP*	[Frosted Ribbed Polycarbonate Lens]	
	45-8 [45W 8Ft 8 LED Strips]		DF	[Deep Frosted Acrylic Lens]	
	68-8 [68W 8Ft 8 LED Strips]		DF-WD	[Deep Frosted Acrylic Lens w/Wide Distribution]	
TAMPER RESISTANT		BRACKETS	LEADS	SENSOR OPTION	EMERGENCY BATTERY PACK
TR [Tamper proof screws secure latches, please contact LLT for information on tools required to service unit.] Blank [NA]		Blank [Stainless Steel Mounting Straps Included]	TL [Top-Mounted Leads] EL [End-Mounted Leads]	OCSD [IP67 Low Occupancy Sensor. High/Low down to 10% possible.] OCSN [IP67 Low Voltage Occupancy Sensor. On/Off Only, Non-Dimming]	EM5 [>800 lumens / 5 Watts] EM7 [>1200 lumens / 7 Watts] EM10 [>1600 lumens / 10 Watts]

* Ribbed Frosted Polycarbonate only available in 4ft
[See data sheet for CLA-EM for more information on Emergency Battery Packs.]

Vision Light Tech B.V.

Protonenlaan 22, 5405 NE Uden, P.O. Box 345, 5400 AH Uden, The Netherlands

Phone: +31 (0)413 26 00 67, Fax: +31 (0)413 26 09 38, E-mail: info@vlt.nl, Website: www.vlt.nl

Trade register No. 17150044, VAT No. NL8112.30.946.B01

