



Vision Light Tech

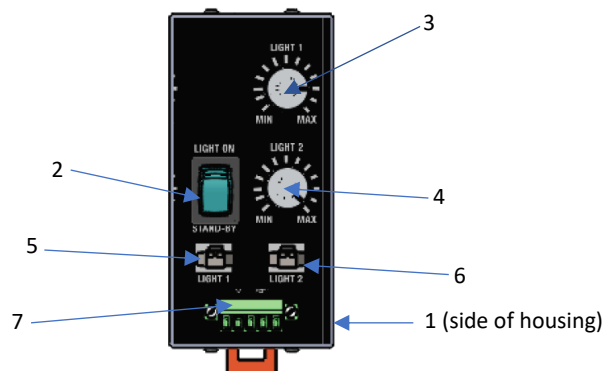
creating optical solutions

LC2-PWM20



The LC2-PWM20 is a dual channel, pulsewidth modulated LED intensity controller. It outputs 12V PWM from 0-100% at 100kHz to drive LED loads with series limiting resistors. The maximum output is 20W per channel and 30W combined for two channels. Power is limited by the 24V power supply.

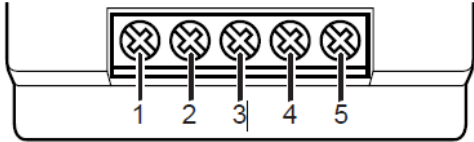
LC2-PWM20 Functions / Controls



| | |
|---|---|
| 1 | Power Limiter Switch (default setting is NORM) <ul style="list-style-type: none">• NORM – Limits light adjustment range to 0 to 60% to protect LED element. Always use the NORM setting when operating the device with continuous lighting by pushing the switch away from the face panel.• FULL – Allows an intensity adjustment range of 0 to 100% by pulling the switch towards the face panel. |
| 2 | Standby Switch |
| 3 | Channel 1 intensity adjustment |
| 4 | Channel 2 intensity adjustment |
| 5 | Channel 1 output connector |
| 6 | Channel 2 output connector |
| 7 | Input Terminals |

Specifications are subject to change

• Input Terminals

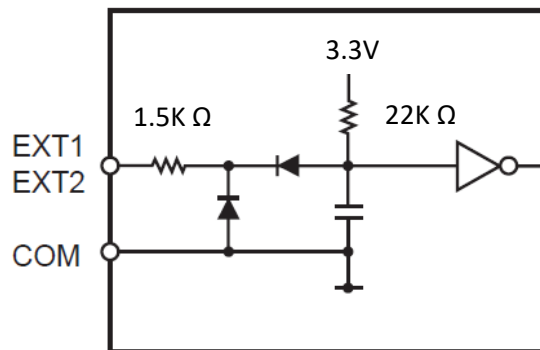


Compatible cables: AWG #14 to #22

| Terminal | Label | Description / Note |
|----------|--------|---|
| 1 | 24 VDC | Power supply should be limited to 1.8A max |
| 2 | 0V | Power Supply 24V RTN |
| 3 | COM | External control Common terminal |
| 4 | EXT 1 | External control input channel 1 (0-24V) • Deactivates channel 1 when shorted to COM |
| 5 | EXT 2 | External control input channel 2 (0-24V) • Deactivates channel 2 when shorted to COM |

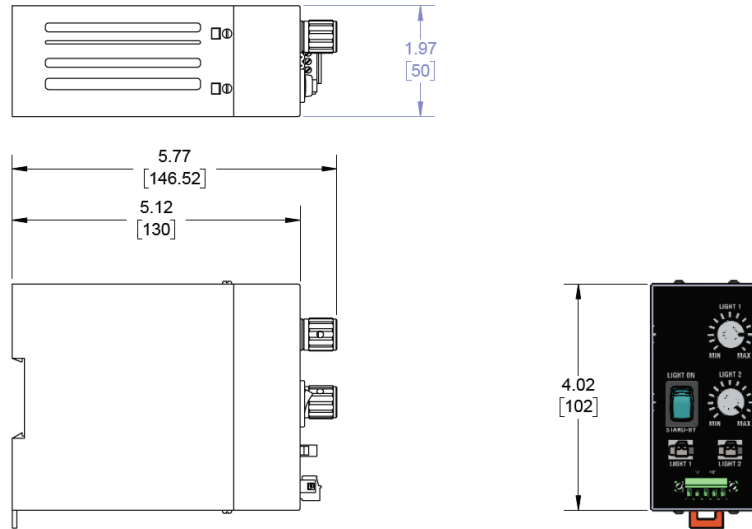
• Circuit Diagram

| Input Terminals: EXT1, EXT2 |
|--|
| Disable Output: 1.0V and less |
| Enable Output: 1.25V and higher or float |



Specifications are subject to change

Dimensions



Specifications

| LC2-PWM20 | | |
|---------------------------------|-------------------|---|
| OUTPUT | Intensity Control | Pulse Width Modulation @ 100kHz |
| | Connections | 2 channels |
| | Voltage | 12VDC PWM (not constant-current) |
| | Max LED Load | 20W per channel, 30W combined total |
| INPUT | Power Supply | 24VDC $\pm 10\%$ limited to 1.8A to protect Controller and LED load |
| | | |
| ENVIRONMENTAL CONDITIONS | Temperature | 0 to 45°C |
| | Humidity | 0 to 85% RH (non-condensing) |
| | Weight | 210 grams |
| | | |

Specifications are subject to change